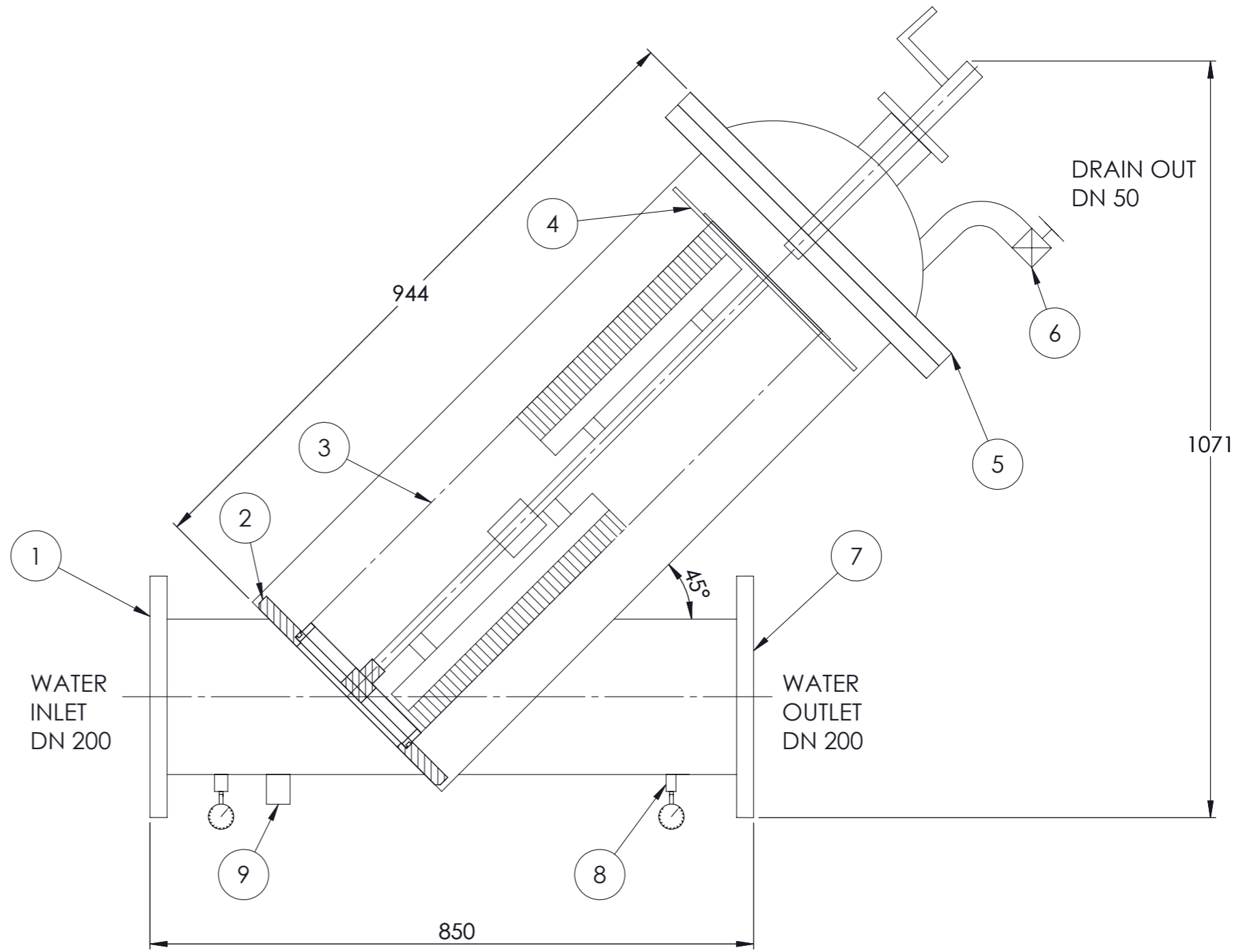


ITEM	PART No.	DESCRIPTION	QTY	Material
1	DN200	Flange	1	304
2		Supporting Ring	1	304
3	Ø219 x 800	Screen	1	304
4		Screen Fix Plate	1	304
5	DN350	Cover	1	304
6	DN50	Drain Out	1	304
7	DN200	Flange	1	304
8	G $\frac{1}{4}$ "	Tapping Point	2	304
9	G1"	Tapping Point c/w Air Valve	1	304



TECHNICAL DATA		
Nominal Flow Rate (at 2m Head Loss)	m ³ / hr	320 m ³ /hour
	L / s	89 L/sec
Approximate Weight	Empty	120 kg
Inlet & Outlet Connections (Standard Flanges)	AS 2129	DN200 Table D

Filter Area: 5500 m²
 Max. Working Pressure: 10 bar
 Max. Working Temperature: 55 C

PROPRIETARY AND CONFIDENTIAL

THE INFORMATION CONTAINED IN THIS DRAWING IS THE SOLE PROPERTY OF FILTAWORX PTY. LTD. ANY REPRODUCTION IN PART OR AS A WHOLE WITHOUT THE WRITTEN PERMISSION OF FILTAWORX PTY. LTD. IS PROHIBITED.

MATERIAL	AS SHOWN IN DETAIL DRAWING
FINISH	NATURAL
NEXT ASSY	USED ON
APPLICATION	DO NOT SCALE DRAWING

	NAME	DATE
DRAWN	SD	01/12/2021
CHECKED	-	-
ENG APPR.	-	-
MFG APPR.	-	-
Q.A.	-	-

DIMENSIONS ARE IN mm
 TOLERANCES: ±0.25 MACHINING
 ±0.25° ANGULAR
 UNLESS OTHERWISE SPECIFIED

FILTAWORX

TITLE
200MM INLINE 304SS BRUSH SEMI-AUTO IN-LINE FILTER

SIZE	DWG. NO.	REV.
A3	FWSA2-200	0

SCALE: N.T.S. WEIGHT: approx. 120 kg SHEET: 1 OF 1