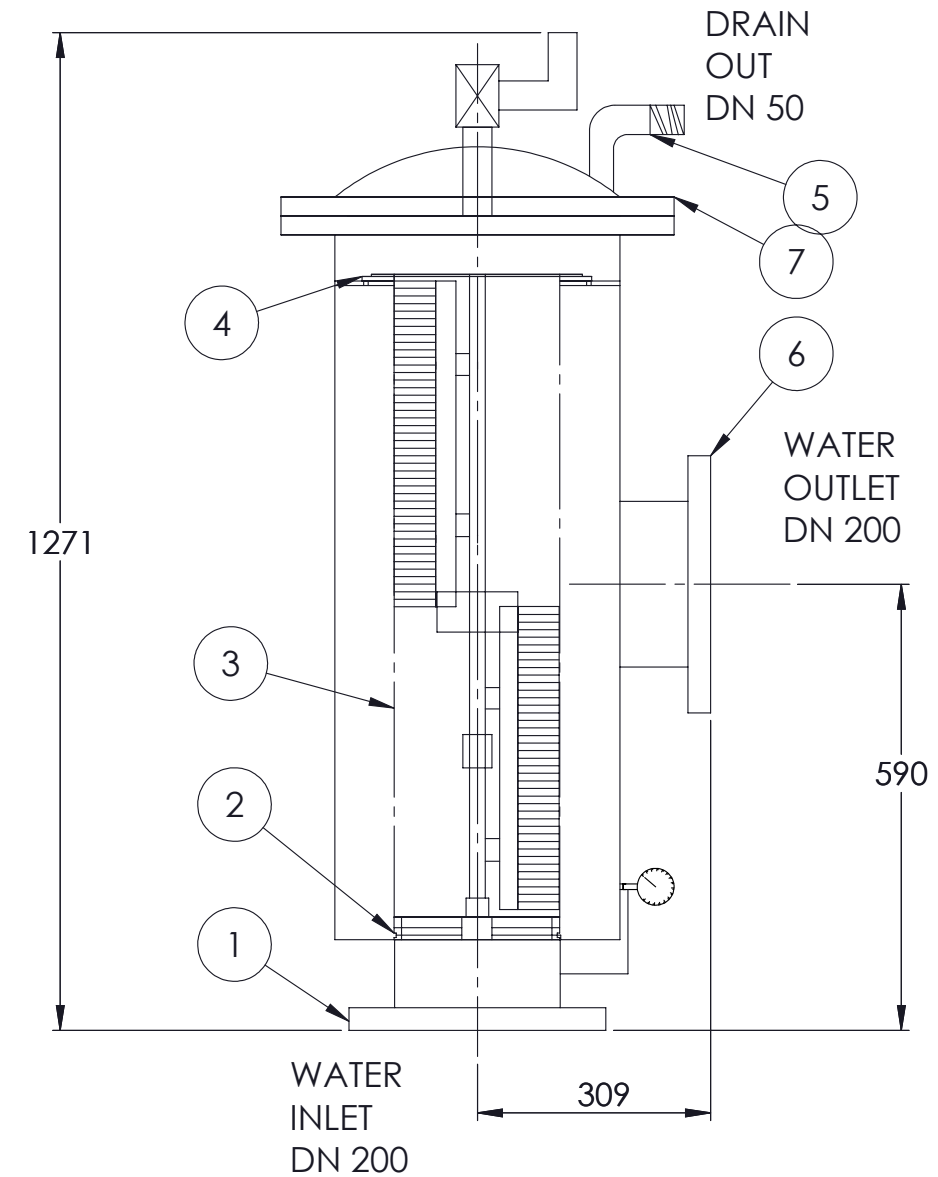
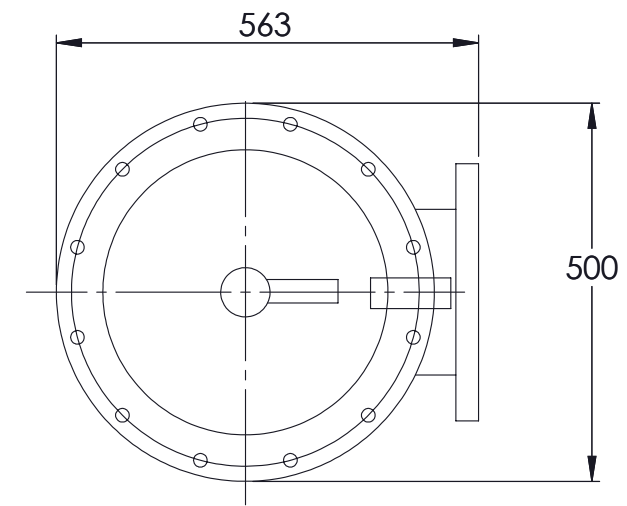


ITEM	PART No.	DESCRIPTION	QTY	Material
1	DN200	Flange	1	Carbon Steel
2		Supporting Ring	1	304
3	Ø219 x 800	Screen	1	304
4		Screen Fix Plate	1	Carbon Steel
5	DN50	Drain Out	1	Carbon Steel
6	DN200	Flange	1	Carbon Steel
7	DN350	Cover	1	Carbon Steel



TECHNICAL DATA		
Nominal Flow Rate (at 2m Head Loss)	m ³ / hr	300 m ³ /hour
	L / s	83 L/sec
Approximate Weight	Empty	125 kg
Inlet & Outlet Connections (Standard Flanges)	AS 2129	DN200 Table D

Filter Area: 5500 m²

Max. Working Pressure: 10 bar
Max. Working Temperature: 55 C

PROPRIETARY AND CONFIDENTIAL

THE INFORMATION CONTAINED IN THIS DRAWING IS THE SOLE PROPERTY OF FILTAWORX PTY. LTD. ANY REPRODUCTION IN PART OR AS A WHOLE WITHOUT THE WRITTEN PERMISSION OF FILTAWORX PTY. LTD. IS PROHIBITED.

MATERIAL	AS SHOWN IN DETAIL DRAWING
FINISH	EPOXY COATED
NEXT ASSY	USED ON
APPLICATION	DO NOT SCALE DRAWING

	NAME	DATE
DRAWN	SD	02/12/2021
CHECKED	-	-
ENG APPR.	-	-
MFG APPR.	-	-
Q.A.	-	-

DIMENSIONS ARE IN mm
TOLERANCES: ±0.25 MACHINING
±0.25° ANGULAR
UNLESS OTHERWISE SPECIFIED

FILTAWORX		
TITLE 200MM EPOXY COATED SEMI AUTO BRUSH FILTER		
SIZE A3	DWG. NO. FWS5-200	REV. 0
SCALE: N.T.S.	WEIGHT: approx. 125 kg	SHEET: 1 OF 1