

Series 100 40mm - 200mm 90 Degree Filters



Helix Hydro's range of 90° filters, 40mm - 200mm steel bodied epoxy coated filters are suitable for agricultural and industrial applications as control filters.

Features:

- ✔ **Connections:** 40-50mm BSP - 80-200mm Flanged Table" D" Connections
- ✔ **Material of construction:** Carbon Steel
- ✔ **External/ internal Coating:** Corrosive resistant epoxy coating oven cured.
- ✔ **Available filtration Screens:** 20, 40, 80, 120mesh
- ✔ **Cleaning:** "T" handle design, for easy removal of fine screen for cleaning
- ✔ **Flushing:** Supplied with flush valve.
- ✔ **Pressure Gauges:** 2 x 1/4" ports for connection of pressure gauges
- ✔ **Pressure:** Maximum recommended working pressure up to 10 bar
- ✔ **Temperature:** Maximum working temperature 55° C

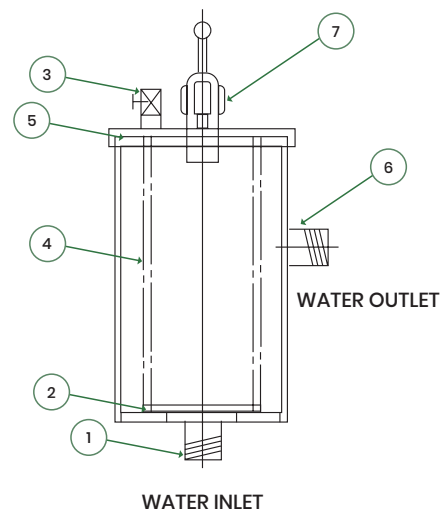
Cleaning Operation:

As the water passes through the filter contaminants are trapped on the inside of the filter screen.

The drain valve is used to release any pressure in the filter and then the screen is easily removed and can be manually cleaned.

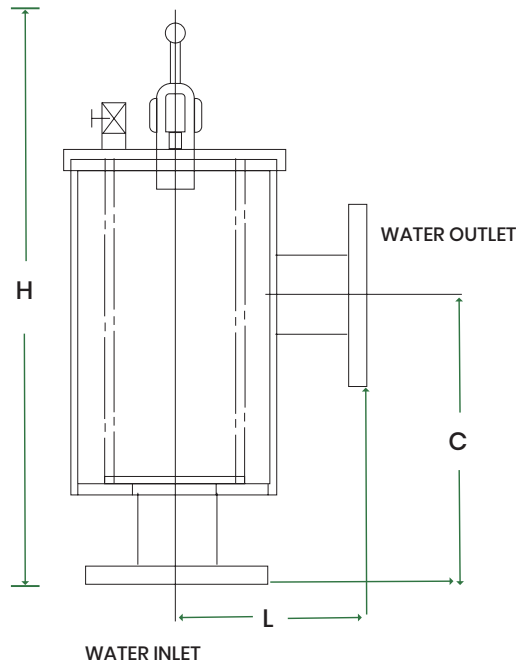
Technical Data

ITEM	DESCRIPTION	Material
1	Inlet	Carbon Steel
2	Supporting Ring	Carbon Steel
3	Flush Valve	Brass
4	Screen	316
5	Screen Fix Plate	Carbon Steel
6	Outlet	
7	T-Handle Quick Open	Carbon Steel

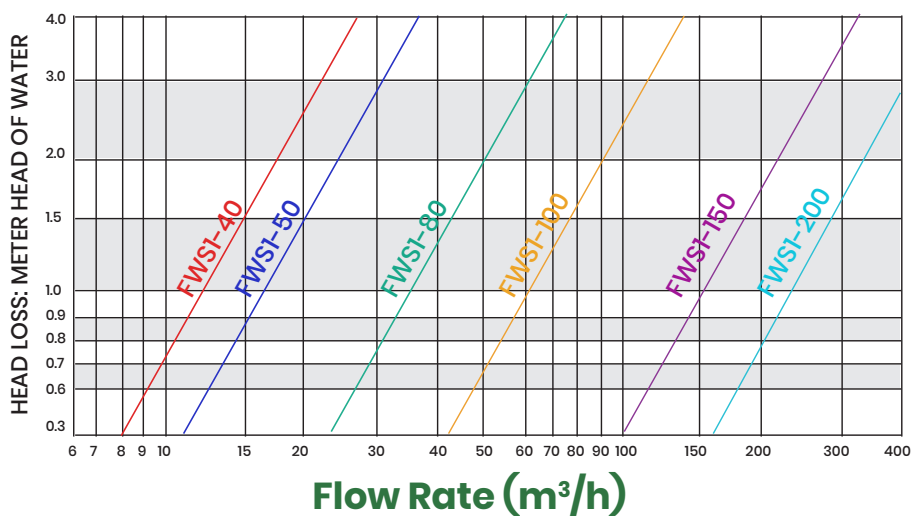


Dimensional Details

Model	Nominal Size Nominal Flow			Filter Area cm ²	Dimensions			Weight Kg
	mm	L/sec	m ³ /hr		H	C	L	
FWSI-40	40	4.4	15	1710	560	270	160	30
FWSI-50	50	7	25	1710	560	270	160	30
FWSI-80	80	14	50	1710	610	320	210	40
FWSI-100	100	25	90	2280	723	320	210	50
FWSI-150	150	47	170	4350	1037	487	271	70
FWSI-200	200	83	300	5500	1271	590	309	100



Head Loss Graph



Helix Hydro Pty. Ltd.
 23 Sir Laurence Drive
 Seaford, Victoria 3198
 Phone: 03 9580 2122

Contact: enquiries@helixhydro.com.au
 Website: www.helixhydro.com.au

VIC/TAS P: 0427 033 967
 WA/NT P: 0409 115 895
 NSW/ACT P: 0414 675 663
 QLD P: 0417 733 508
 SA P: 0427 033 967



A USTRALIAN
 OWNED AND
 OPERATED