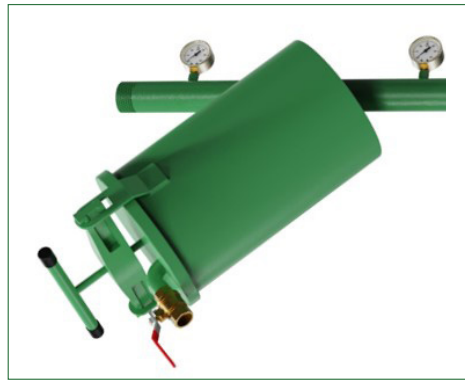


HELIX

HYDRO



Series 200 40mm - 200mm In Line Filters

Helix Hydro's range of In-line filters, 40mm - 200mm steel bodied epoxy coated filters are suitable for agricultural and industrial applications as control filters.

Features:

- ✔ **Connections:** 40-50mm BSP - 80-200mm Flanged Table "D" Connections
- ✔ **Material of construction:** Carbon Steel
- ✔ **External/ internal Coating:** Corrosive resistant epoxy coating oven cured.
- ✔ **Available filtration Screens:** 20, 40, 80, 120mesh
- ✔ **Cleaning:** "T" handle design, for easy removal of fine screen for cleaning
- ✔ **Flushing:** Supplied with flush valve.
- ✔ **Pressure Gauges:** 2 x 1/4" ports for connection of pressure gauges
- ✔ **Pressure:** Maximum recommended working pressure up to 10 bar
- ✔ **Temperature:** Maximum working temperature 55° C

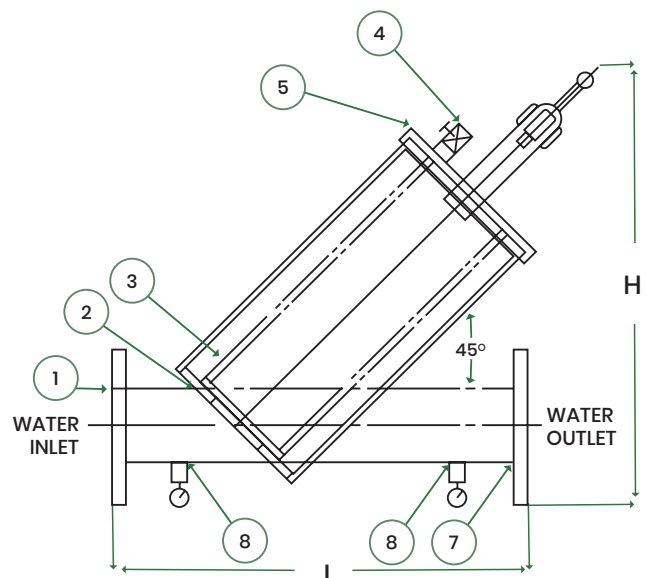
Cleaning Operation:

As the water passes through the filter contaminants are trapped on the inside of the filter screen.

The drain valve is used to release any pressure in the filter and then the screen is easily removed and can be manually cleaned.

Technical Data

ITEM	DESCRIPTION	Material
1&7	Inlet/Outlet	Carbon Steel
2	Supporting Ring	Carbon Steel
3	Screen	316
4	Flush Valve	Brass
5	Screen Fix Plate	Carbon Steel
6	T-Handle Quick Open	Cast Iron
8	8mm Tapping Point	

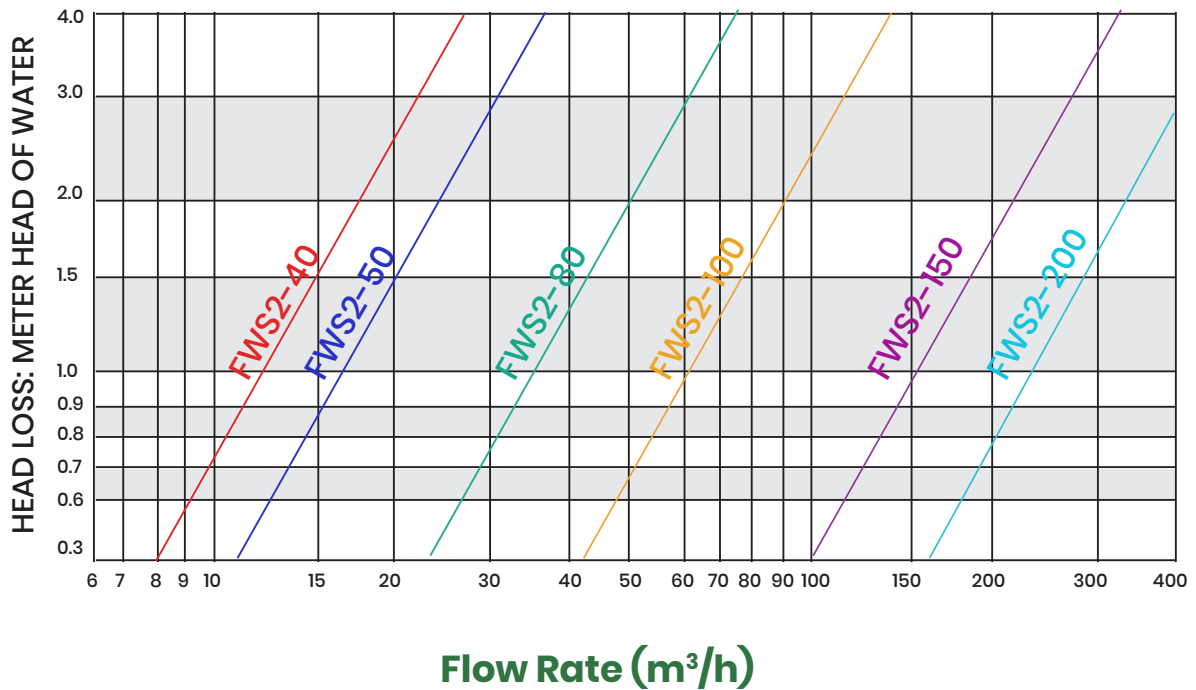


Dimensional Details

Model	Nominal Size Nominal Flow			Filter Area cm ²	Dimensions		Weight Kg
	mm	L/sec	m ³ /hr		H	L	
FWS2-40	40	4	15	1710	392	600	35
FWS2-50	50	7	25	1710	392	600	35
FWS2-80	80	14	50	1710	554	600	35
FWS2-100	100	25	90	2280	554	600	70
FWS2-150	150	47	170	4350	861	800	86
FWS2-200	200	83	300	5500	1071	850	120

- ✔ Connections 40-50mm BSP - 80-200mm Flanged Table "D"
- ✔ Maximum operating pressure 1000Kpa

Head Loss Graph



Helix Hydro Pty. Ltd.
 23 Sir Laurence Drive
 Seaford, Victoria 3198
 Phone: 03 9580 2122

Contact: enquiries@helixhydro.com.au
 Website: www.helixhydro.com.au

VIC/TAS P: 0427 033 967
 WA/NT P: 0409 115 895
 NSW/ACT P: 0414 675 663
 QLD P: 0417 733 508
 SA P: 0427 033 967



A USTRALIAN
 OWNED AND
 OPERATED